



HomePNA to Ethernet Converter

Enhanced HomePNA to Ethernet Converter

V1.0

HomePNA to Ethernet Converter

Version 1.0

Product Features and Specifications

HomePNA to Ethernet Converter consists of one HomePNA port and two Ethernet port, and is a HomePNA to Ethernet converter. It does not require any software, nor does it require opening the PC's case cover. You only need plug in two cables (RJ-11 and RJ-45), and it is very easy to use. Enjoy uninterrupted voice service (telephone) while surf the Internet with HomePNA.

Product Features:

- One HomePNA port.
- Two Ethernet Port.
- Plug and Play – no new or extra wiring.
- Frequency division multiplexing for uninterrupted simultaneous voice service.
- Easy conversion between HomePNA and Ethernet networks.
- Most suitable for SOHO, business or home use.
- Transmission speed greater than 1Mbps, which is 18 times faster than a 56K digital device.
- Compatible with all Operating Systems.
- HomePNA has less distance restriction (500 ft or 160 m) than regular Ethernet (100 m).

Product Specifications :

* HomePNA Port

- Standards : HomePNA 1.1, IEEE 802.3, CSMA/CD
- Speed : 1Mbps (phone line)
- Ports : RJ-11, two connectors
- Transmission Distance: Up to 500 ft (150 m)
- LED Indicators : Link / Activity and Collision
- Cabling : Standard Copper RJ-11

* Ethernet Port

- Standards : IEEE 802.3, 802.3u
- Transmission : Full/Half duplex and Back Pressure Flow Control
- Communication Speed : 10/100 Mbps
- Ports : RJ-45
- LED Indicators : Link/Activity, 100 and COL/FDX
- Cabling : Standard Category 5 UTP or STP up to 100 m.
- Up-Link to Ethernet device for 10/100Mbps

* Physical Specifications:

- DC Input: 5V, External DC adapter
- Power Consumption: 2W max
- Operating Temperature: 0 to 50°C
- Storage Temperature: -25 to 70°C
- Humidity: 10% - 90% non-condensing
- Dimensions: 117 mm × 91.6 mm × 25.4 mm
- Net Weight: approx. 0.3 kg

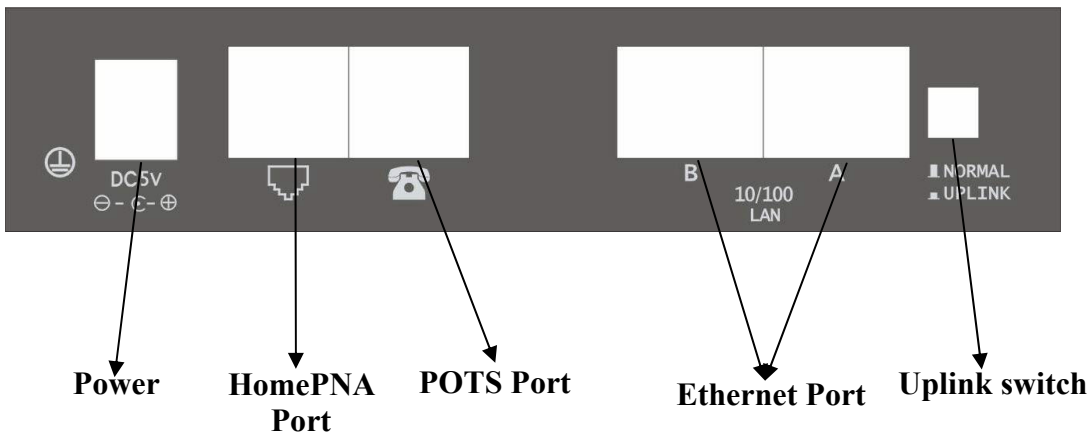
Checklist

After unpacking, verify that the package contains the following items. Contact the dealer or the store if any items are missing.

- One HomePNA to Ethernet Converter
- One Adapter
- One 4-wire Phone Cable (RJ-11)
- One Network cable (RJ-45)
- One User's Manual

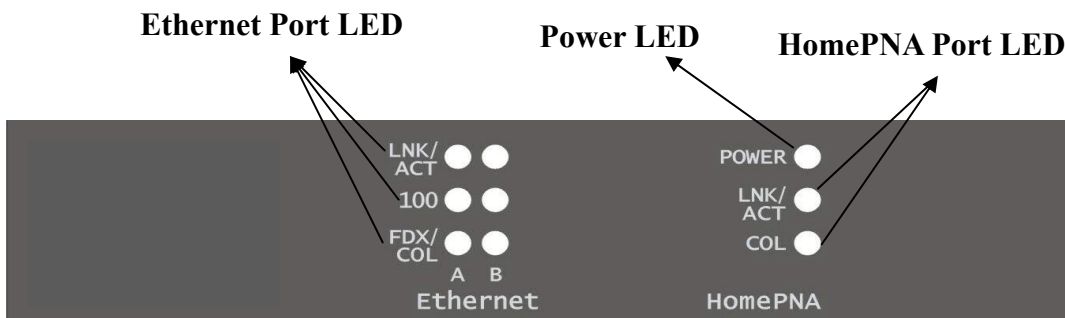
Face Board

On the face board of the HomePNA to Ethernet Converter, there is two HomePNA port, two Ethernet port and one power socket



Port	Speed	Connector	Cabling
Ethernet	10/100 Mbps	RJ-45	100 m, Category 5 STP/UTP
HomePNA	1 Mbps	RJ-11	Standard Phone Line 500 ft (150m)

* LED Indicators



HomePNA port indicators :

POWER : HomePNA to Ethernet Converter is on.

LNK/ACT : When both ends of HomePNA are connected, the LNK/ACT indicator will blink. While transmitting data the LED will illuminate.

COL : COL indicator will blink when HomePNA signals collided or noise on the line.

Ethernet port indicators :

LNK/ACT : When both ends of Ethernet are connected, the LNK/ACT indicator will illuminate. While transmitting data the LED will blink.

100 : When 100 LED is illuminated the performance on both ends of Ethernet are 100Mbps, if 100 LED is off the performance on both ends of Ethernet are 10Mbps.

COL/FDX : COL/FDX indicator will illuminate when the Ethernet port is in Full duplex mode. Ethernet port is in Half duplex mode when LED is off, COL/FDX indicator will blink when Ethernet signals collided.

Installation and Applications

* Selecting a Suitable Location

Like any other electronic product, this product runs best within certain temperature and humidity ranges. When selecting a location for the HomePNA to Ethernet Converter, the following environmental conditions are best:

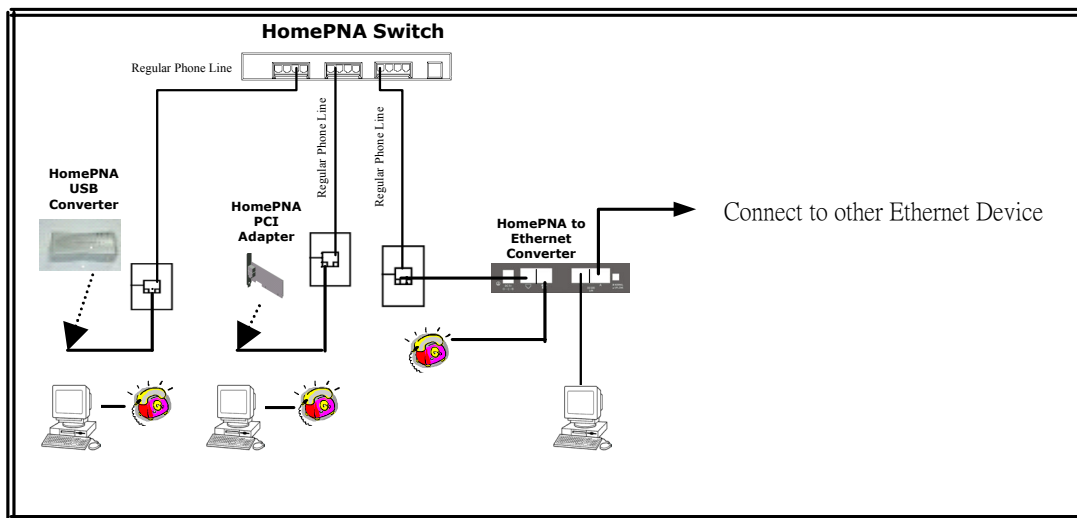
Temperature : -25 - 70°C

Humidity : 10% - 90% non-condensing

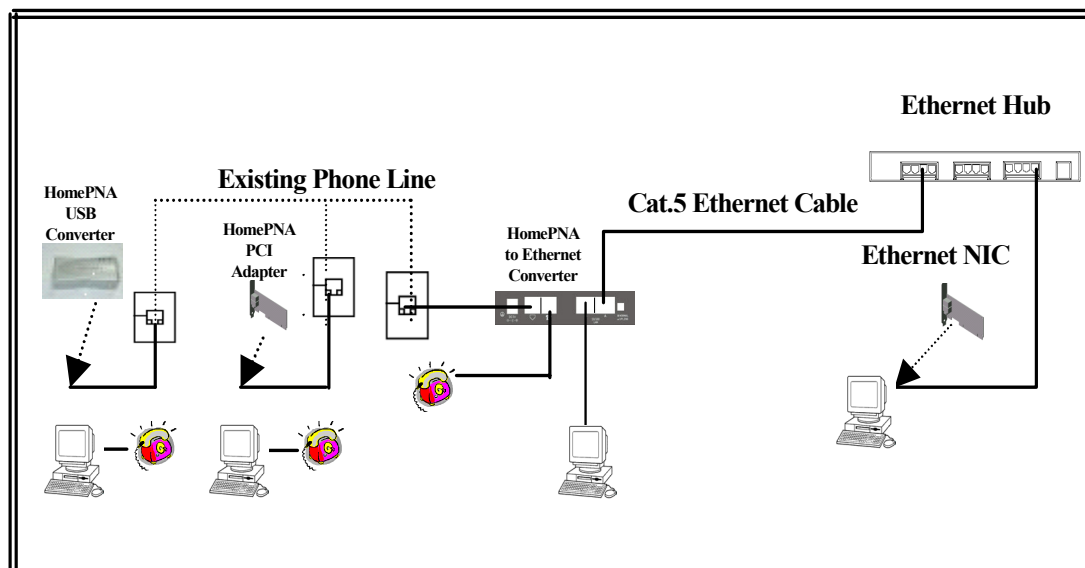
* Installation Description with Sketch Illustration

HomePNA to Ethernet Converter Connecting Technique :

1. Complying with HomePNA device



2. Complying with Ethernet device



These procedures are applicable for HomePNA to Ethernet Converter and Enhanced HomePNA to Ethernet Converter. The main differences between the two models are Enhanced HomePNA to Ethernet Converter offers a distance range up to **1.3 km** rather than 150 m.